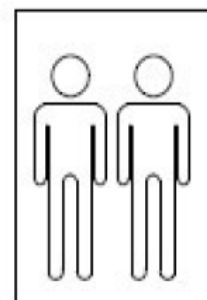
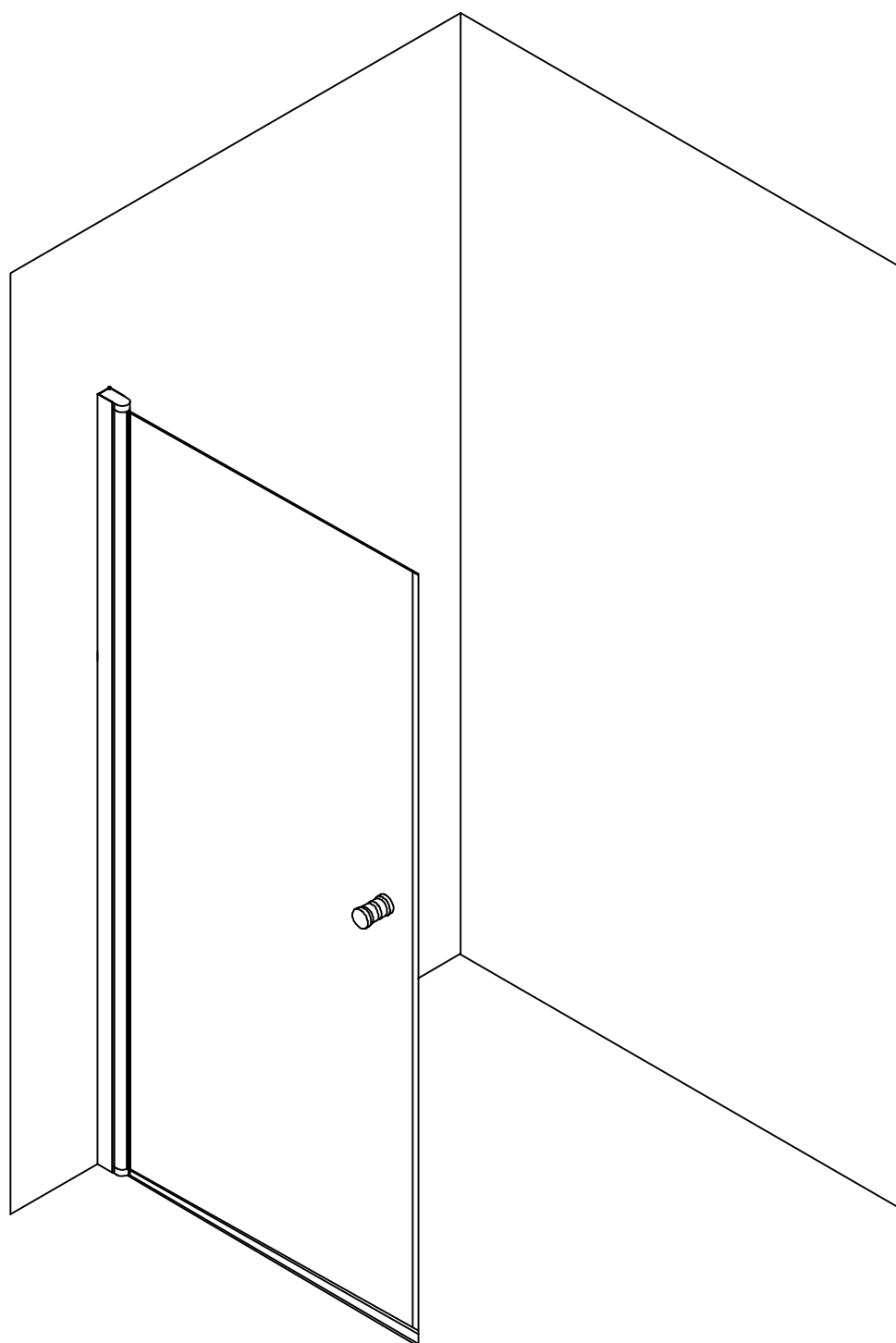




bathlife®
OF SWEDEN

MSG 900S1E



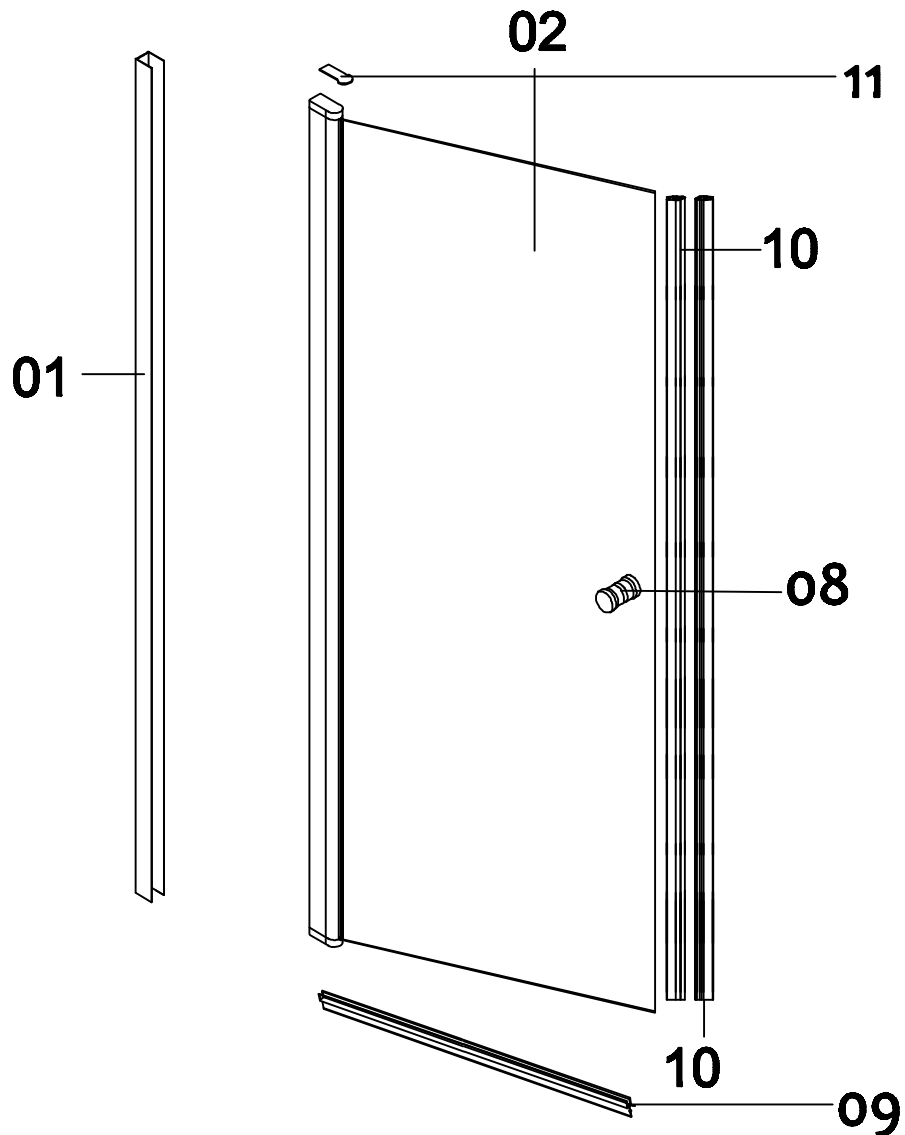
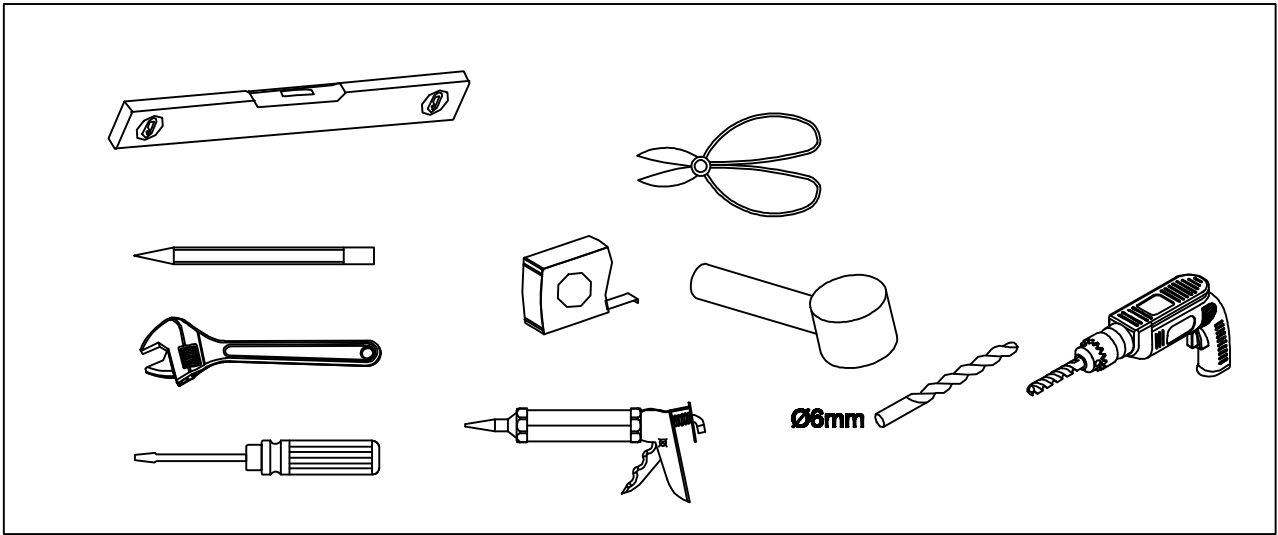
Copyright ©2016 Bygghemma Sverige AB. The bathlife® logo is a registered trademark of Bygghemma Sverige AB. All rights reserved.








This artwork is presented as-is, is a work in progress concept and does not represent the quality or function of a final product.

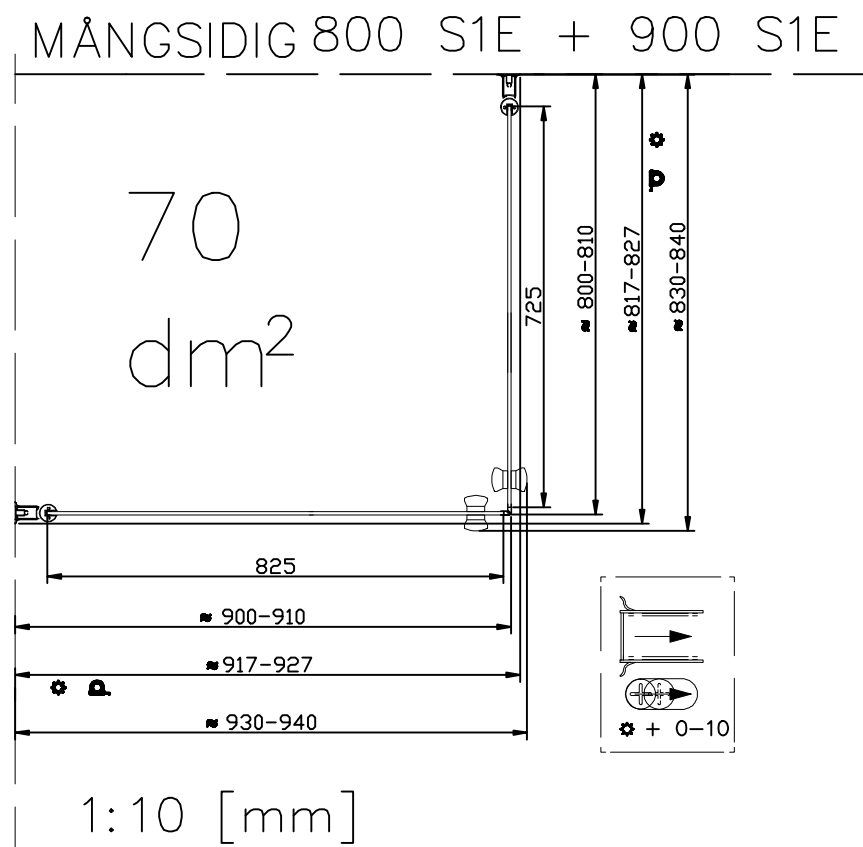
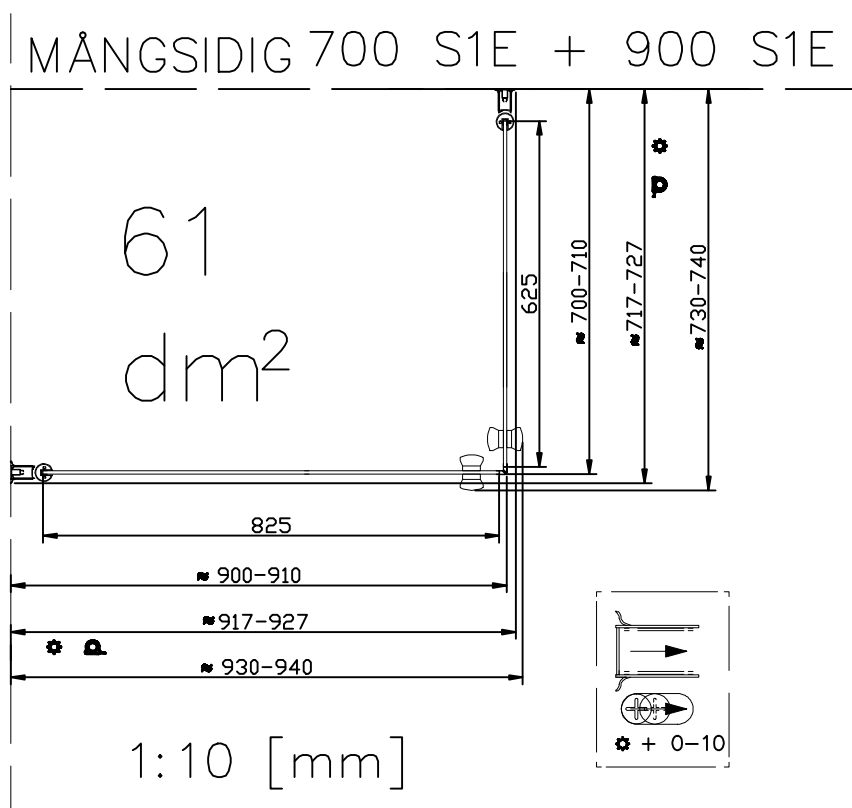


Some colours are based on the PANTONE® Colour Matching System. Colours may display differently in digital and final products.

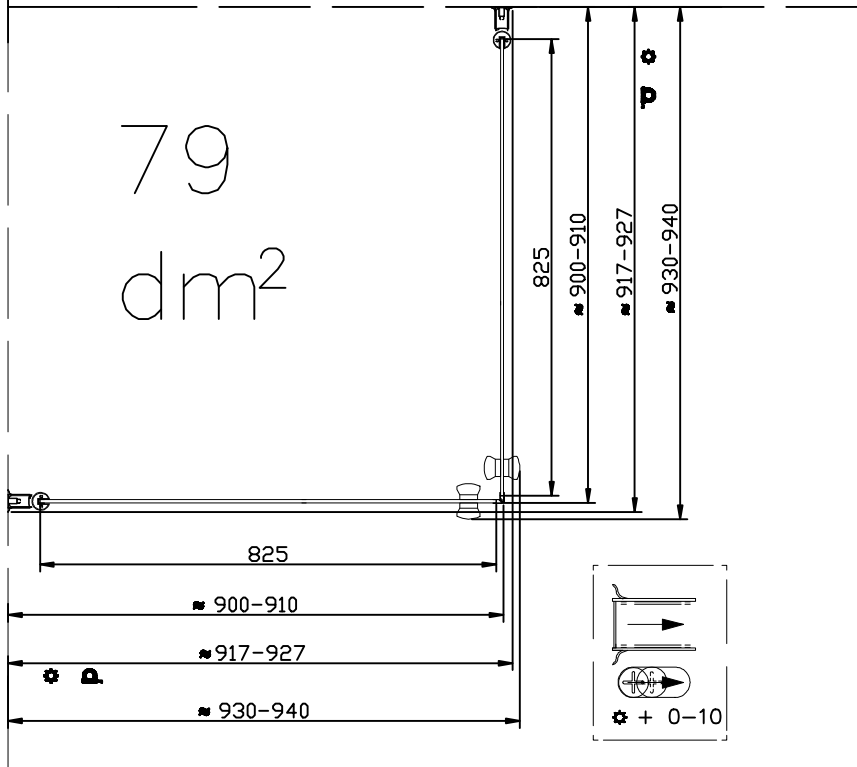


	03	×4		06	×4
	04	×4		07	×4
	05	×4			

Installation dimensions of different combinations

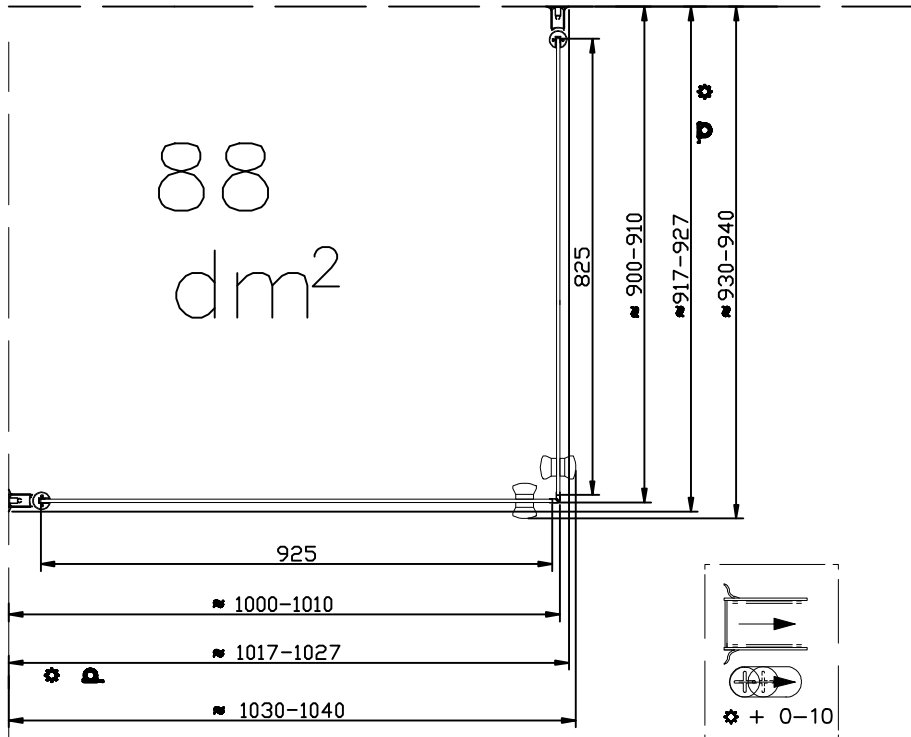


MÅNGSIDIG 900 S1E + 900 S1E



1:10 [mm]

MÅNGSIDIG 900 S1E + 1000 S1E



1:10 [mm]

WALK-IN

Assembling and using instructions



Don't use this shower enclosure without having reading this instruction manual

Safety advices :

Warning, glass is an extremely fragile material.

During handling always wear gloves.

For your safety, this product is made of tempered glass. This kind of glass is very resistant but also has the particularity to remember shock history.

By consequence, **it is important to handle this product with a maximum of precaution, by avoiding shock and torsion**, notably during setup.

Avoid to install this kind of product in an area which is particularly exposed to the shock.

Do not let children play with this product.

Do not stick adhesive film at the surface of the glass. In case of breaking, this may generate bigger splinters which could be dangerous.

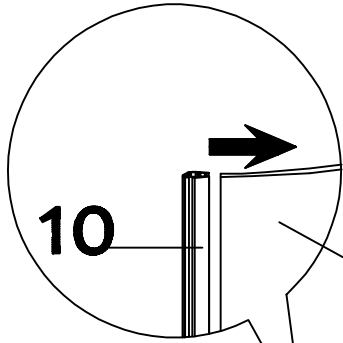
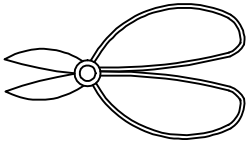
Read carefully these instructions that will tell you important informations to set up and to use your shower enclosure. Be observant with these informations since they certify a correct set up and a correct using of this product. Furthermore, they will prevent the user or the installer from being hurt and from breaking any material. Store away this document in a safe place and in good condition.

Preparation

- After opening the packaging, read carefully these instructions, and then check all the delivering elements and check the shower enclosure in order to detect any carriage damage.
- If this glass is with silk screen printing, check that the smooth face will be inside the shower enclosure.
- Don't cling to this shower enclosure. This shower enclosure has not been designed to support heavy load.
- Note: The wall fixings included with this product are suitable for solid walls only. Plasterboard or stud walls may require specialist fixings (not supplied).
- Care should be taken when drilling into walls to avoid hidden pipes or electrical cables.
- Water supply flexible, tray and siphon are not provided.



Don't use any scrubbing products or any products made from ammoniac for cleaning this shower enclosure.



10

02

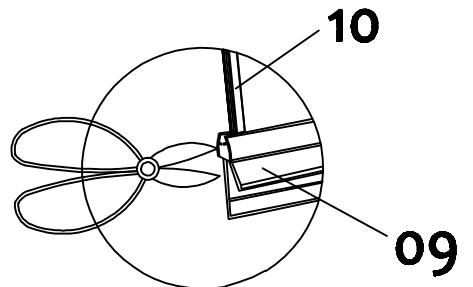
02

10

OUTSIDE

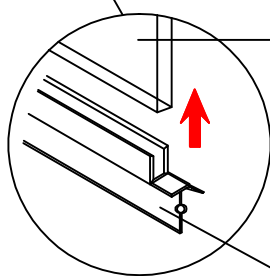
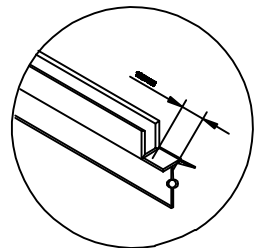
INSIDE

09



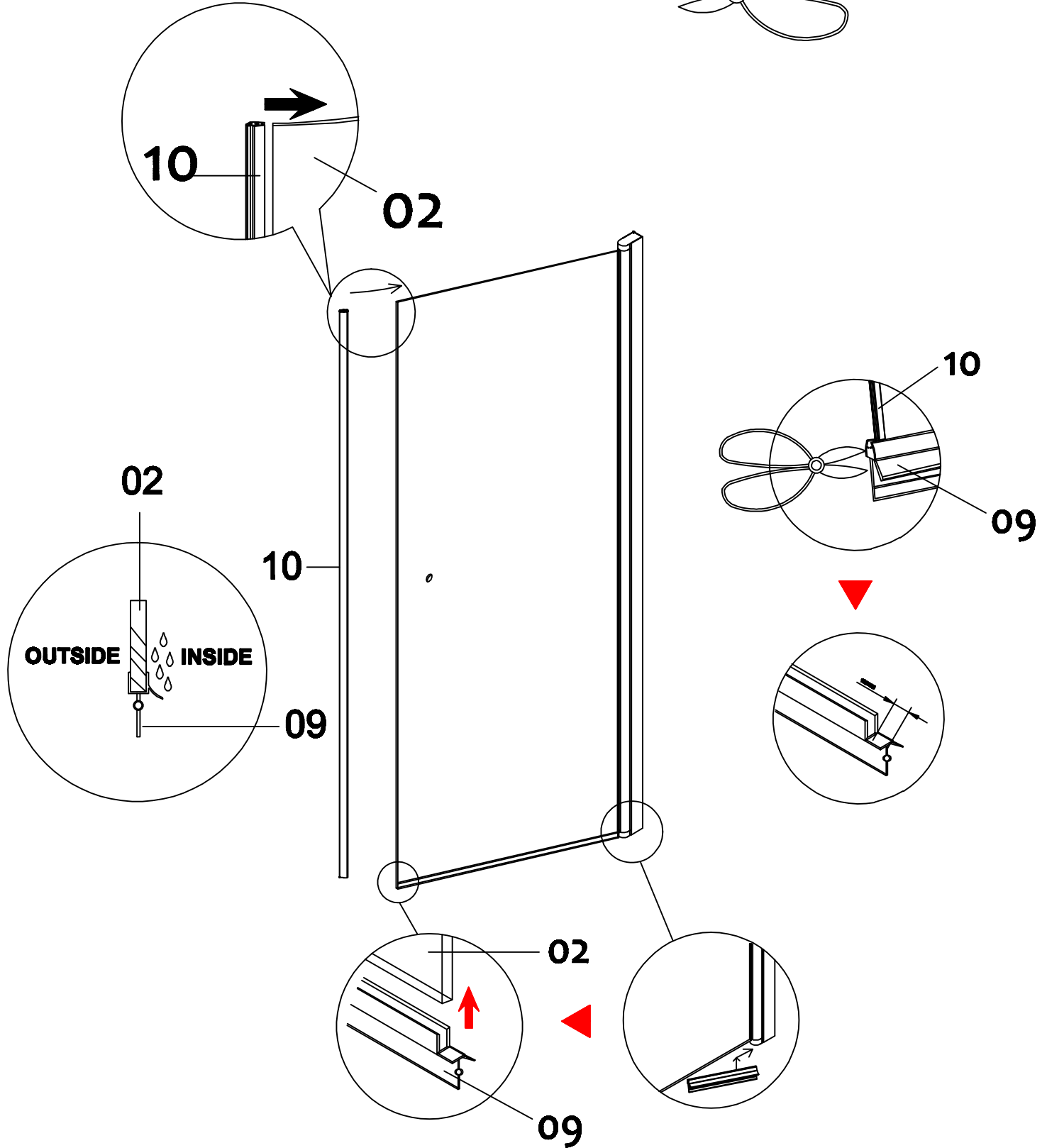
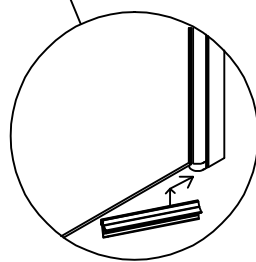
10

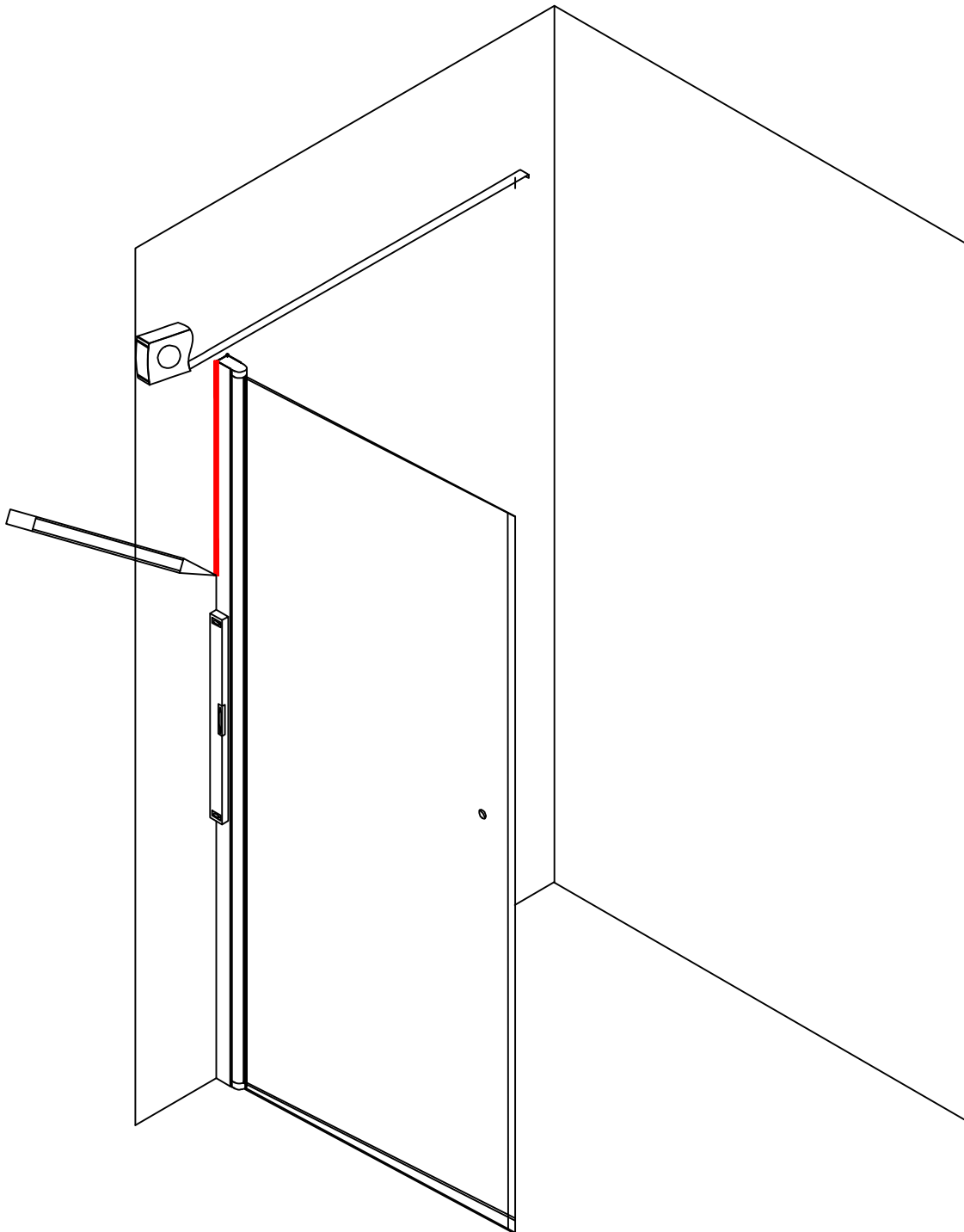
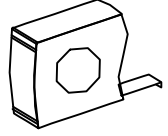
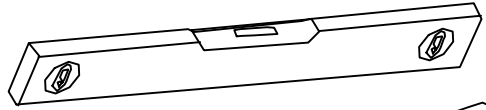
09

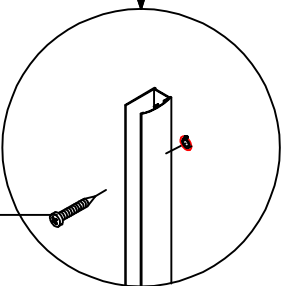
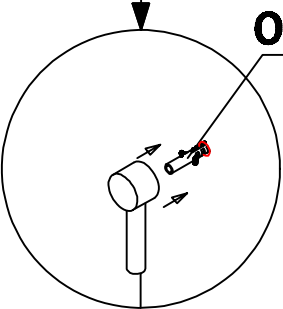
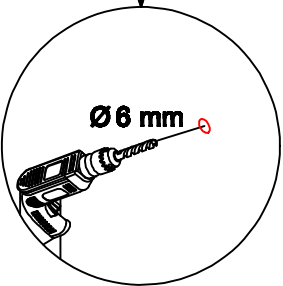
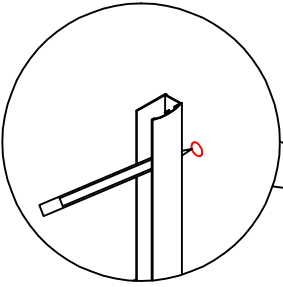
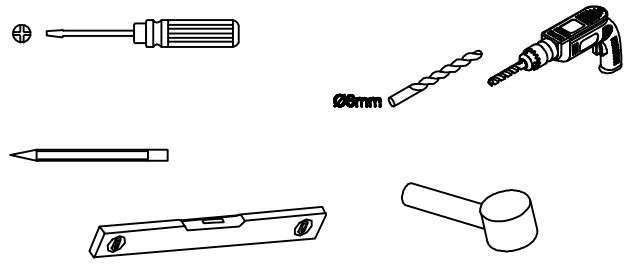


02

09



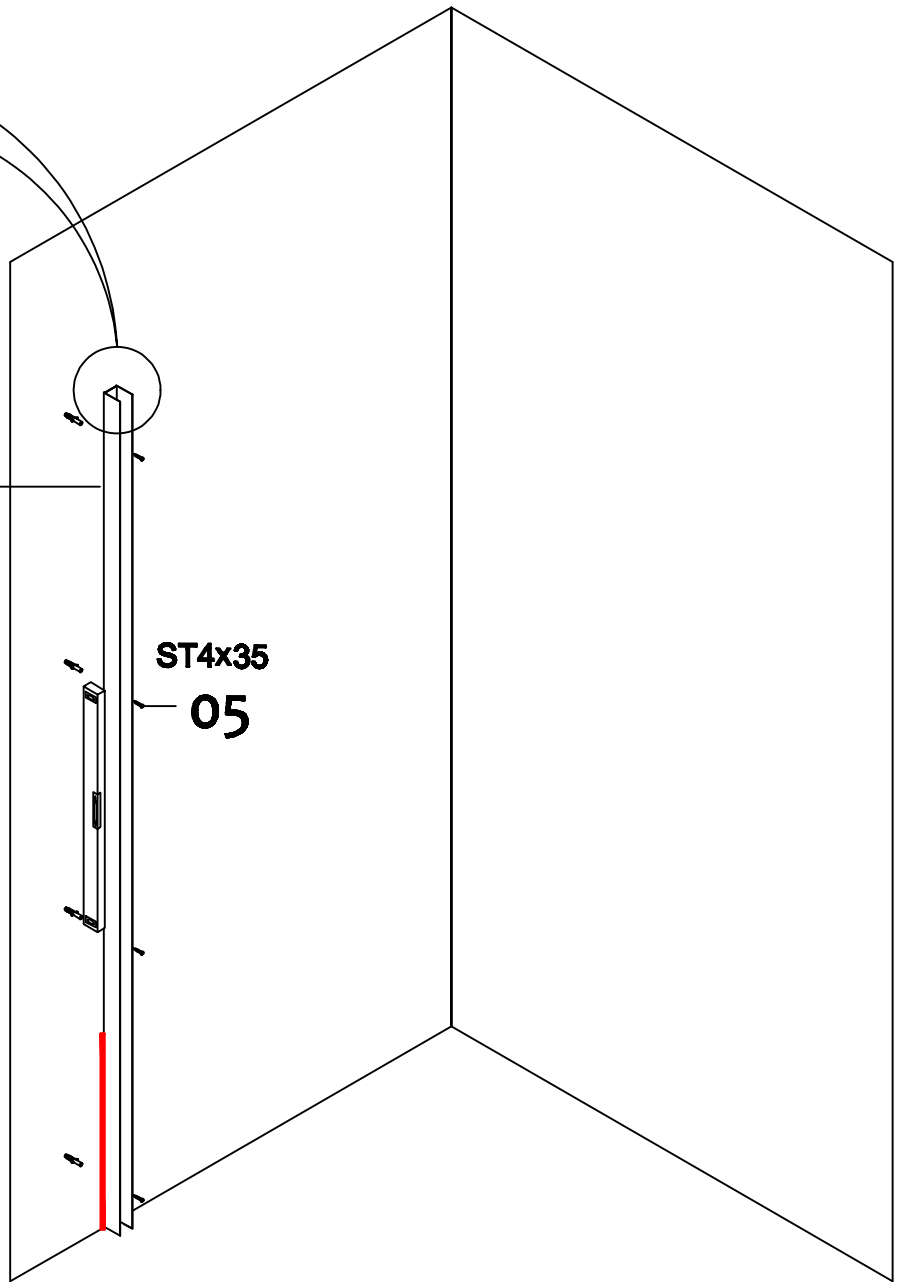


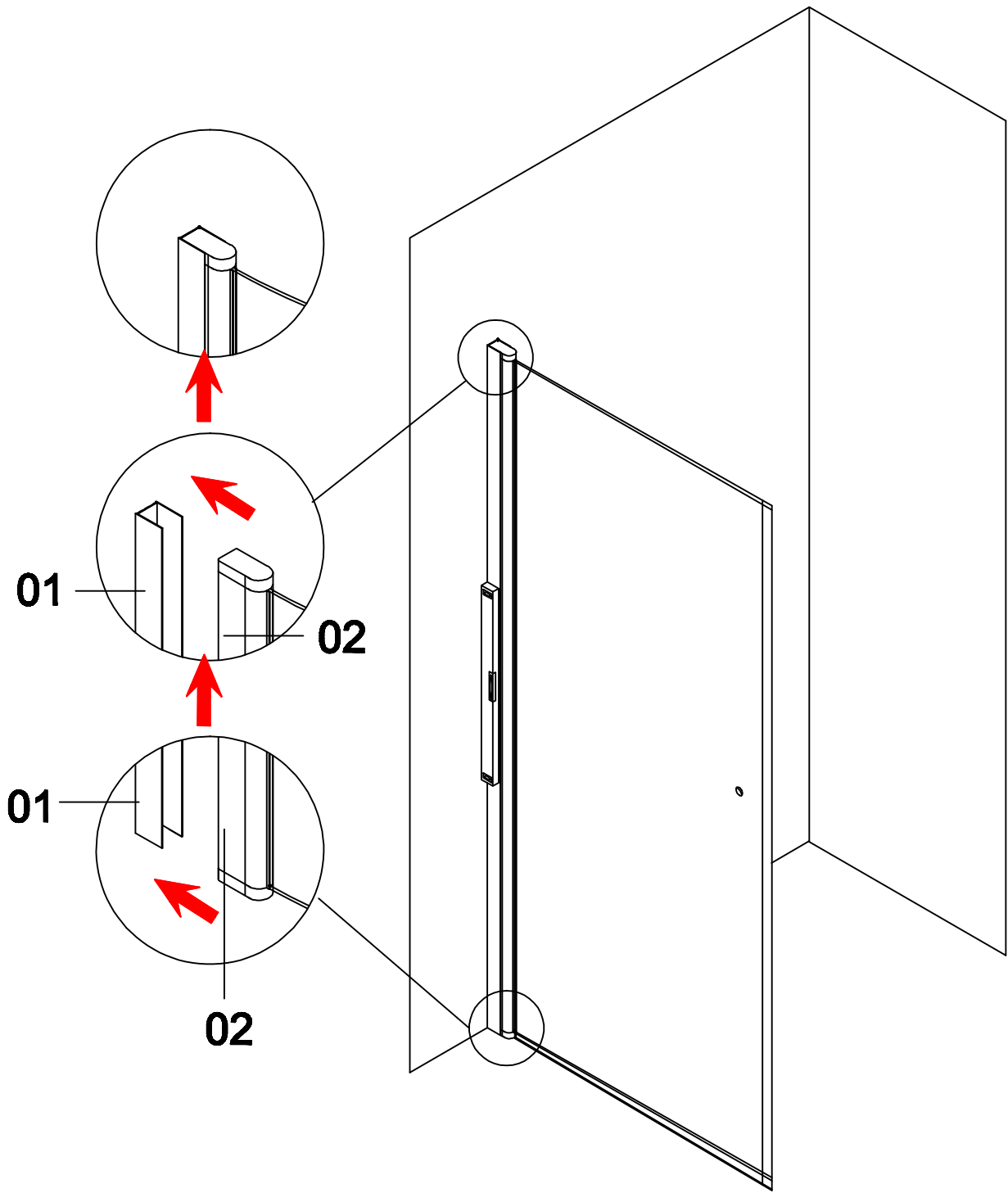


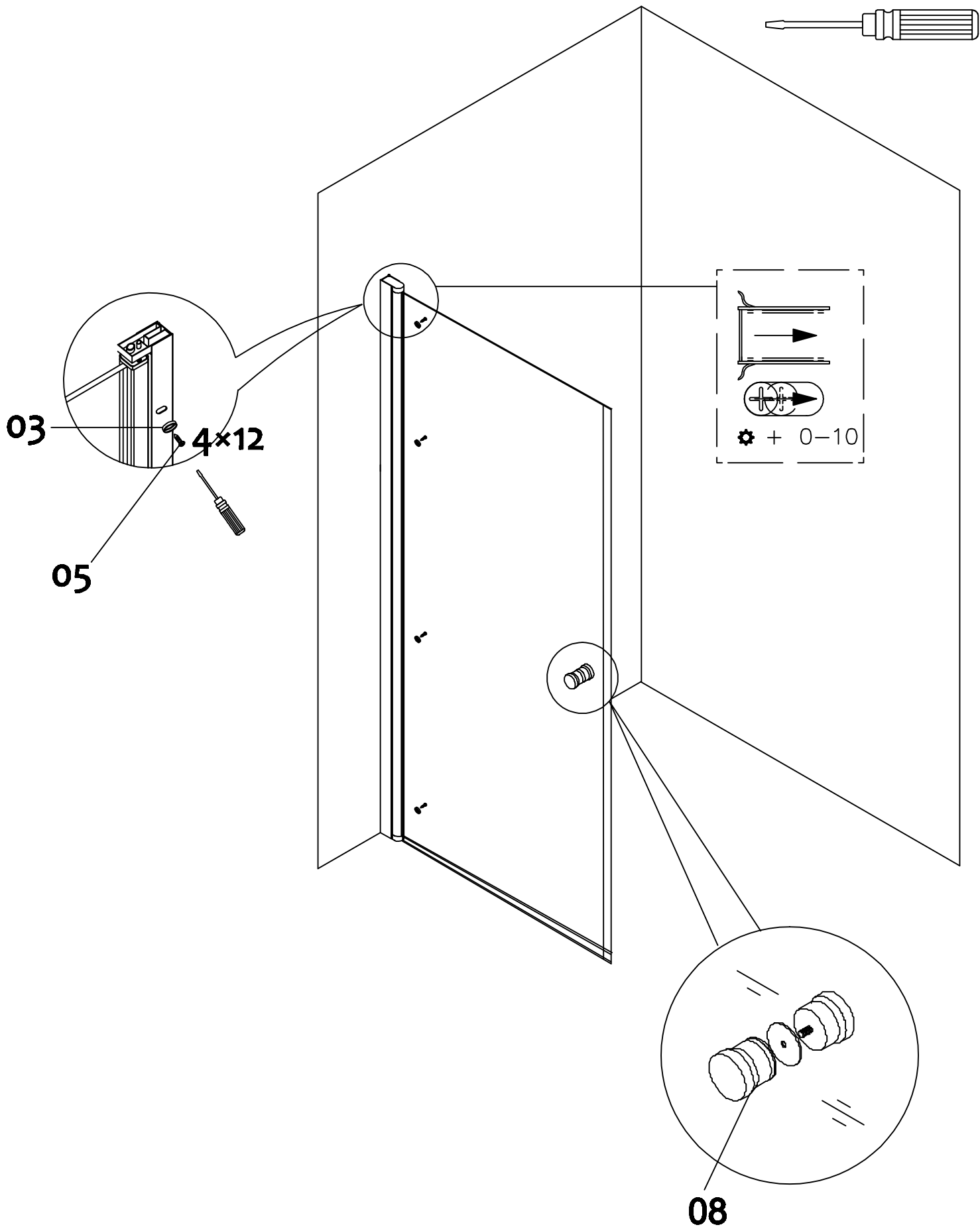
01

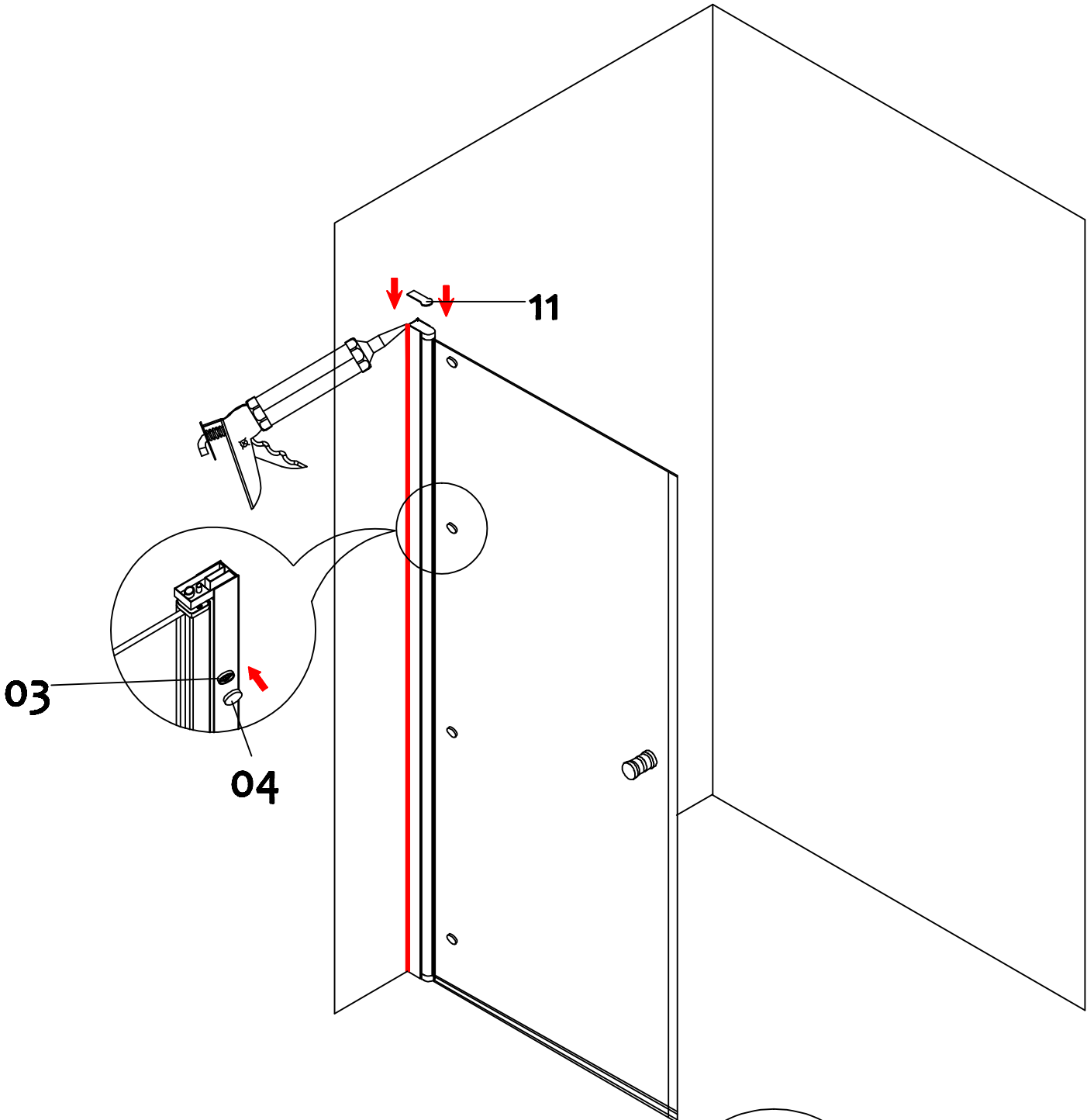
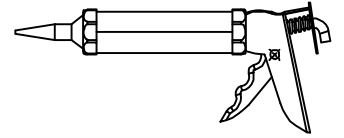
ST4x35
05

05









Before the final set up of this shower enclosure, check its watertightness.

In case of leakage, retighten the screws and if necessary add silicone.

Caution: Please handle all glass with care. Any damage to the edges or scratches to the surface that occur during assembly or normal use can cause the glass to break suddenly. Tempered glass will shatter into very small pieces that will still have sharp edges.

Trouble shooting

Trouble	Solution
Leakage	• Make sure the waterproof strip is properly put in place

For an optimal assembling, always check that all walls and all glass wall are verticals and that they are rightly adjusted the one compared to each other.

Check the fixation of every element before using water.

Cleaning and care

These few advice will increase the shelf life of your shower enclosure.

- Never use any cleaning agent that can damage the surface of your shower enclosure (acids, solvents or bleach).
- Always check the manufacturer's instruction before using a cleaning agent.
- Never use any scouring powder, pads or sharp instruments to clean your shower enclosure.
- Clean regularly your shower enclosure with a 50% white vinegar and 50% water solution. Wait for 5 minutes and rinse with water.
- Clean regularly your shower enclosure's seal with a anti-bacterial spray to keep the new aspect longer.
- After every using, rinse your shower enclosure to prevent any soap or shower gel's stains on the walls.

Please wait 24 hours before using your shower enclosure in order to allow the silicone to dry fully.

“